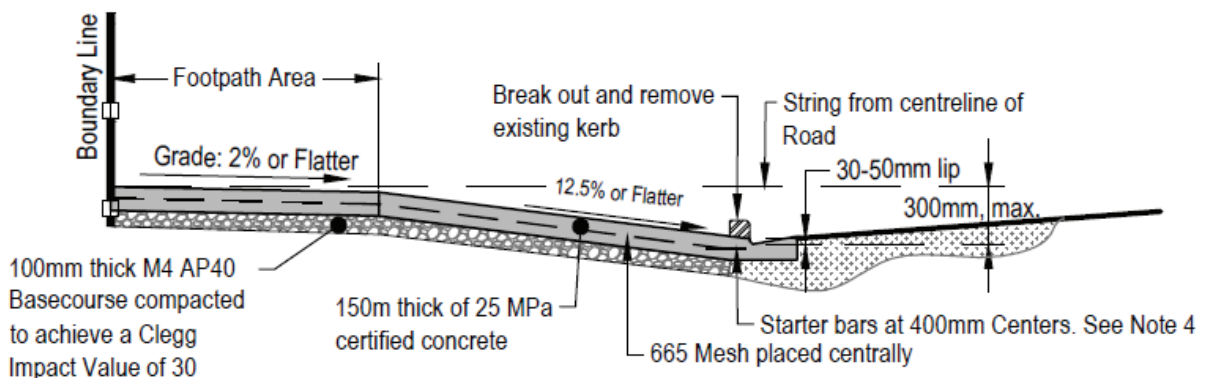
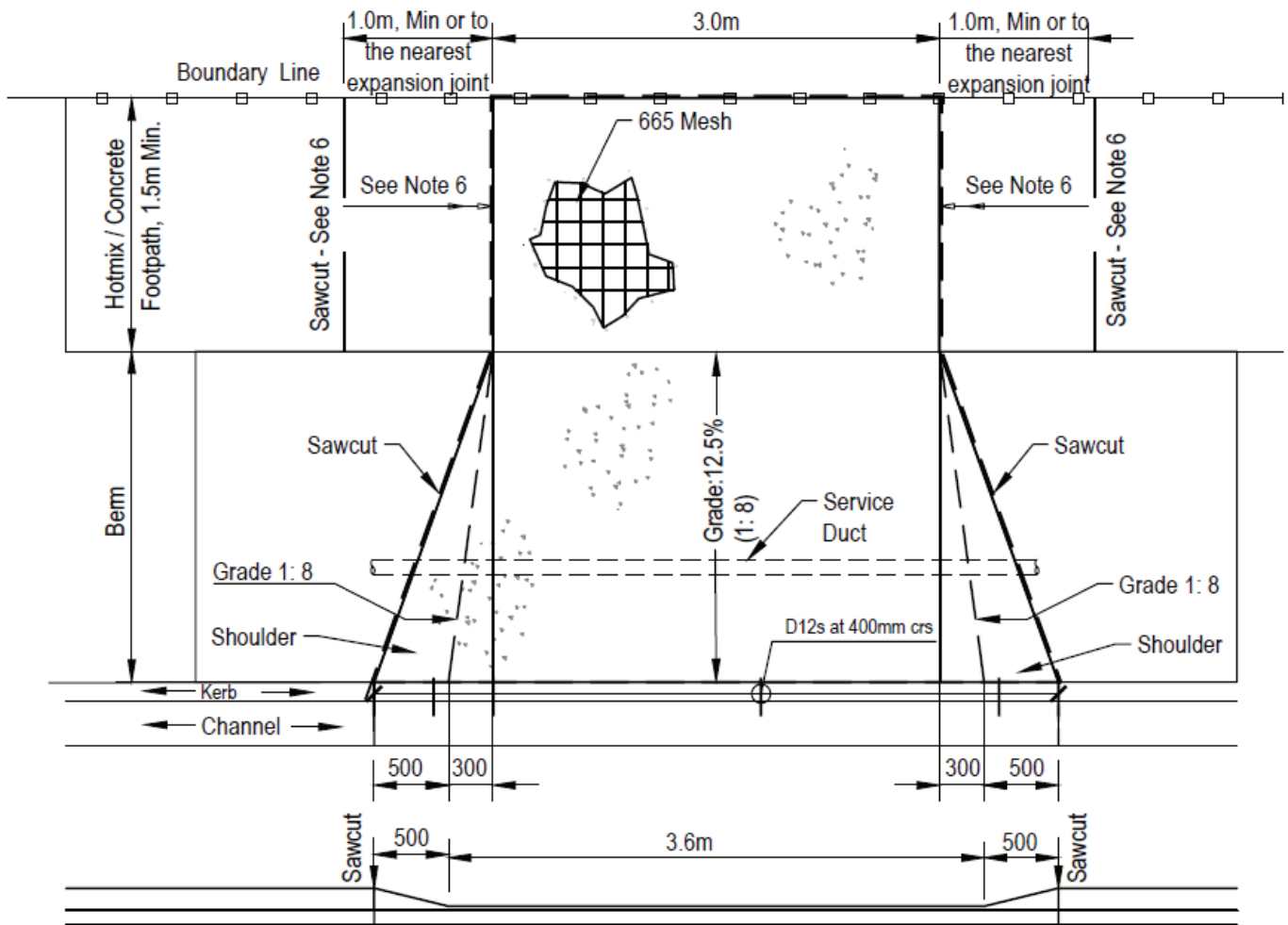


Standard Concrete Residential Crossing



- Note:
1. All concrete used for the construction of the 150mm thick residential vehicle crossing must have a minimum compressive strength of 25 MPa after 28 days.
 2. All new concrete surface to have a broom finish.
 3. If asphalt concrete(AC) reinstatement is required, all excavated areas must be completely coated with an application of bitumen prior to paving with Mix 15 AC.
 4. At the channel face, install 250mm long D12 deformed starter bars at 400mm centres, drill 100mm (min.) deep and grout with Sika 212 or approved equivalent.
 5. Height from channel invert to string line from road centreline must not exceed 300mm.
 6. The existing footpath is to be sawcut. The minimum distance from the new vehicle crossing is 1.0m or to the nearest expansion joint. The reinstated footpath next to the vehicle crossing is for pedestrians which must be built to match the crossfall of the adjacent footpath but the finished crossfall is not to exceed 2%. If this cannot be achieved, the adjacent footpath must be re-constructed at a grade no steeper than 1:12.5 (8%) to tie in with the new crossing. This design will require the approval of the Manager.
 7. New residential vehicle crossing wider than 3.0m will require a consent from the Manager.